

Expanda-Stand™



Expanda-Stand™ – A Brief Introduction.

Simply, the most versatile leaflet dispenser currently available.

Available in 16 wall mounted sizes, 3 free-standing units, and 4 ready-assembled table-top dispensers. Undoubtedly, the best on the market, moulded from high-impact polystyrene.

Expanda-Stand™ wall and free-standing versions are sold in kit form, for simple self-assembly. The entire range is available from stock for immediate dispatch.

Each kit contains everything required, including user-friendly instructions.

The underlying success of this range is its simplicity. Individual pockets merely clip together, and the clever design prevents the contents from tipping forward.

In addition to our already popular clear pocket range, we also now offer coloured versions in the following solid colours :- White, Red, Blue, Grey and Light Blue.

Free Mainland UK delivery on all orders over £25.00 excluding VAT. Orders under £25.00 nett are subject to a £7.50 small order charge.

Additional delivery charges apply for the Scottish Highlands and Islands, and for offshore and export deliveries. Postcode areas where additional charges will apply include IV, AB, PH, DD and KW.

Contact our team for further information and delivery charges where applicable.

Expanda-Stand™ Styles



Table Top



Wall Mounted



Carousel



Foyer stand

Expanda-Stand™ Table Top

Desk Unit	4 x 1/3A4	SU4TF
Desk Unit	4 x A5	SU4A5
Desk Unit	2 x A4	SU2A4
Desk Unit	4 x A4	SU4A4

Expanda-Stand™ Wall Mounted

Style 1	12 x 1/3 A4 Leaflet Holders	3 columns of 4	WLES01
Style 2	16 x 1/3 A4 Leaflet Holders	4 columns of 4	WLES02
Style 3	24 x 1/3 A4 Leaflet Holders	6 columns of 4	WLES03
Style 4	32 x 1/3 A4 Leaflet Holders	8 columns of 4	WLES04
Style 5	8 x A5 Leaflet Holders	2 columns of 4	WLES05
Style 6	12 x A5 Leaflet Holders	3 columns of 4	WLES06
Style 7	6 x A4 Leaflet Holders	2 columns of 3	WLES07
Style 8	8 x A4 Leaflet Holders	2 columns of 4	WLES08
Style 9	9 x A4 Leaflet Holders	3 columns of 3	WLES09
Style 10	12 x A4 Leaflet Holders	4 columns of 3	WLES10
Style 11	16 x A4 Leaflet Holders	4 columns of 4	WLES11
Style 12	4 x A4 + 4 x 1/3 A4 Leaflet Holders	2 columns of A4 And 4 x 1/3 A4 at the bottom	WLES12
Style 13	5 x 1/3 A4 Leaflet Holders	1 column of 5	WLES13
Style 14	5 x A5 Leaflet Holders	1 column of 5	WLES14
Style 15	4 x A4 Leaflet Holders	1 column of 4	WLES15
Style 19	20 x A4 Leaflet Holders	4 columns of 5	WLES26



Style 10



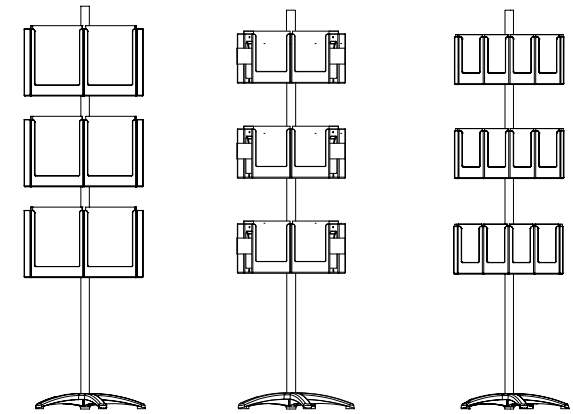
Style 6



Style 4

Expanda-Stand™ Carousel

Style 16	18 x A4 Brochure Holders	(H) 180cm x (W) 50cm x (D) 50cm	WLES16
Style 17	18 x A5 Brochure Holders	(H) 180cm x (W) 50cm x (D) 50cm	WLES17
Style 18	36 x 1/3A4 Brochure Holders	(H) 180cm x (W) 50cm x (D) 50cm	WLES18



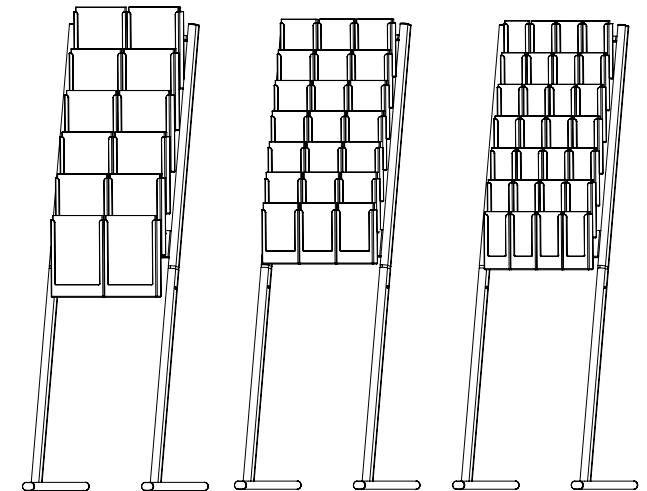
A4

A5

1/3A4

Expanda-Stand™ Foyer stand

Style 20	12 x A4 Brochure Holders	(H) 169cm x (W) 54 x (D) 42cm	WLES20
Style 21	21 x A5 Brochure Holders	(H) 169cm x (W) 54 x (D) 42cm	WLES21
Style 22	28 x 1/3A4 Brochure Holders	(H) 169cm x (W) 54 x (D) 42cm	WLES22



A4

A5

1/3A4

Coloured Range

Expanda-Stand™ Wall Mounted

Style 1	12 x 1/3 A4 Leaflet Holders	3 columns of 4	WLES01/**
Style 2	16 x 1/3 A4 Leaflet Holders	4 columns of 4	WLES02/**
Style 3	24 x 1/3 A4 Leaflet Holders	6 columns of 4	WLES03/**
Style 4	32 x 1/3 A4 Leaflet Holders	8 columns of 4	WLES04/**
Style 5	8 x A5 Leaflet Holders	2 columns of 4	WLES05/**
Style 6	12 x A5 Leaflet Holders	3 columns of 4	WLES06/**
Style 7	6 x A4 Leaflet Holders	2 columns of 3	WLES07/**
Style 8	8 x A4 Leaflet Holders	2 columns of 4	WLES08/**
Style 9	9 x A4 Leaflet Holders	3 columns of 3	WLES09/**
Style 10	12 x A4 Leaflet Holders	4 columns of 3	WLES10/**
Style 11	16 x A4 Leaflet Holders	4 columns of 4	WLES11/**
Style 12	4 x A4 + 4 x 1/3 A4 Leaflet Holders	2 columns of A4 And 4 x 1/3 A4 at the bottom	WLES12/**
Style 19	20 x A4 Leaflet Holders	4 columns of 5	WLES26/**

Colours swatches



White

Red

Grey

Light Blue

Blue



Style 1



Style 7



Style 12



Style 11

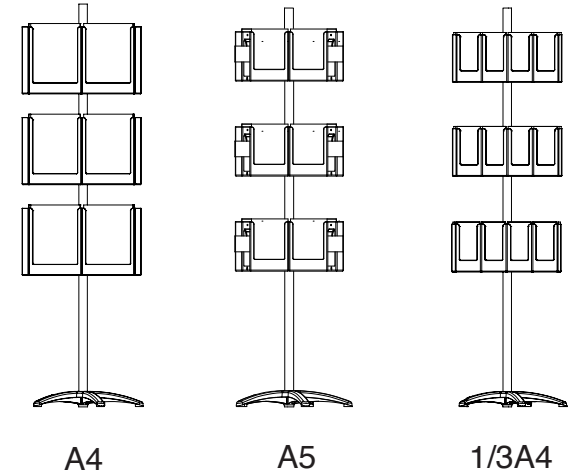


Style 4

Coloured Range

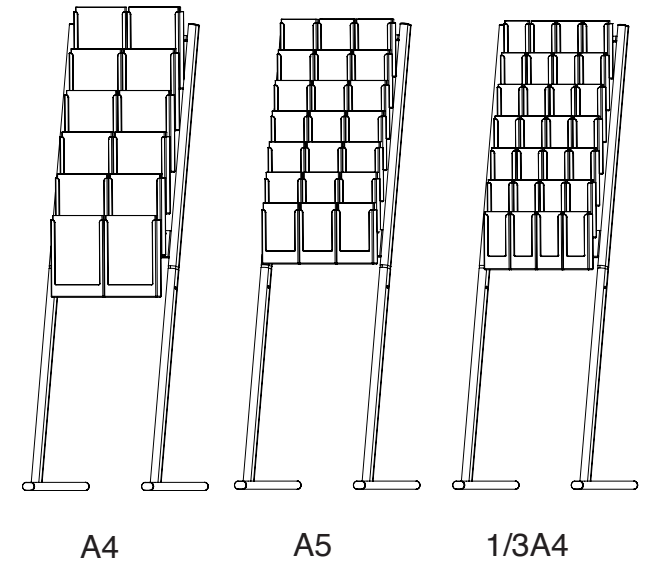
Expanda-Stand™ Carousel

Style 16	18 x A4 Brochure Holders	(H) 180cm x (W) 50cm x (D) 50cm	WLES16/**
Style 17	18 x A5 Brochure Holders	(H) 180cm x (W) 50cm x (D) 50cm	WLES17/**
Style 18	36 x 1/3A4 Brochure Holders	(H) 180cm x (W) 50cm x (D) 50cm	WLES18/**



Expanda-Stand™ Foyer stand

Style 20	12 x A4 Brochure Holders	(H) 169cm x (W) 54 x (D) 42cm	WLES20/**
Style 21	21 x A5 Brochure Holders	(H) 169cm x (W) 54 x (D) 42cm	WLES21/**
Style 22	28 x 1/3A4 Brochure Holders	(H) 169cm x (W) 54 x (D) 42cm	WLES22/**







Metroplan Limited
Lake District Business Park
Mint Bridge Road
Kendal, Cumbria
LA9 6NH, UK

sales@metroplan.co.uk
www.metroplan.co.uk

